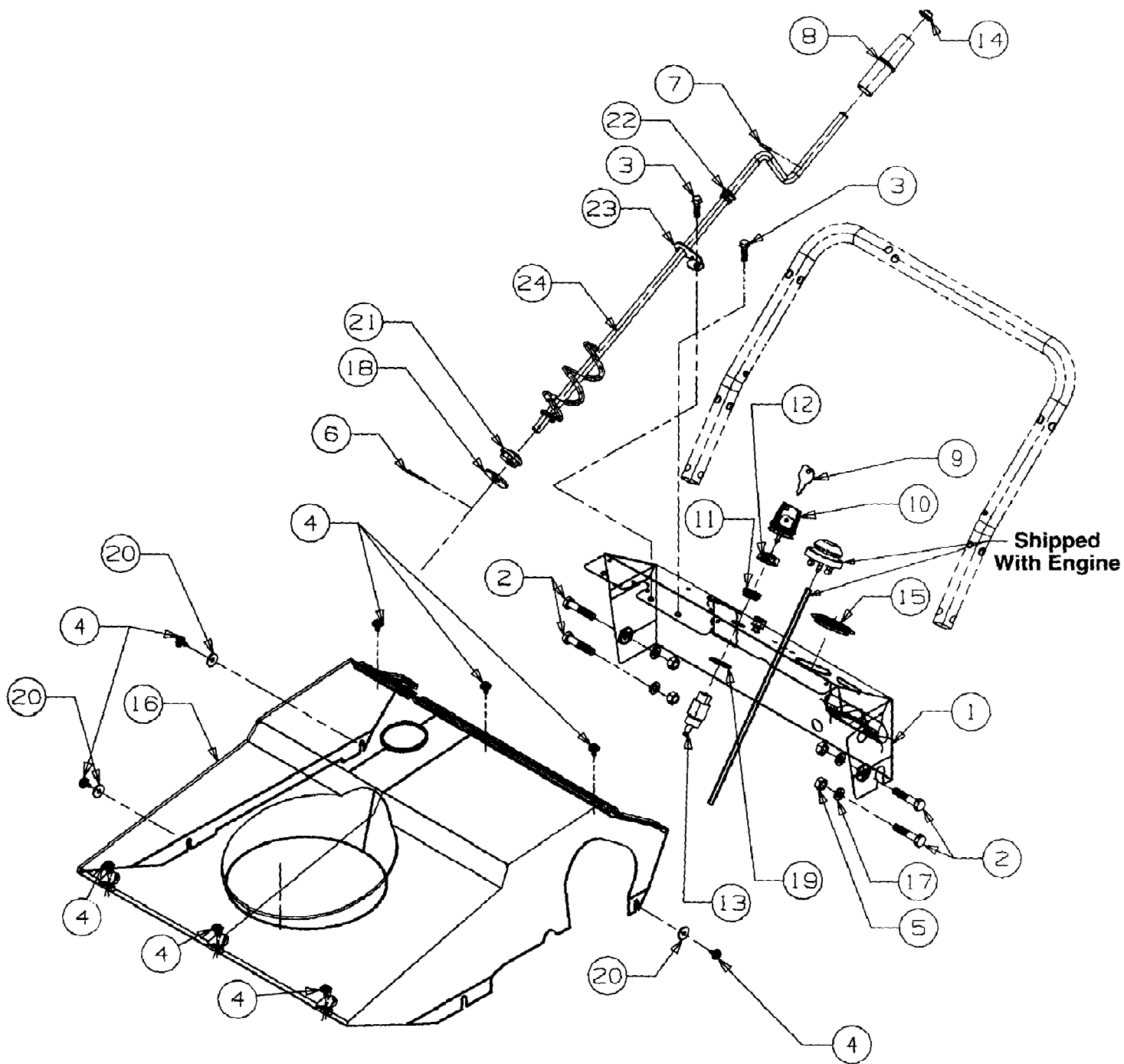


316E142-190 Snow Boss 35 (1996)
Chassis

Page 2 of 8

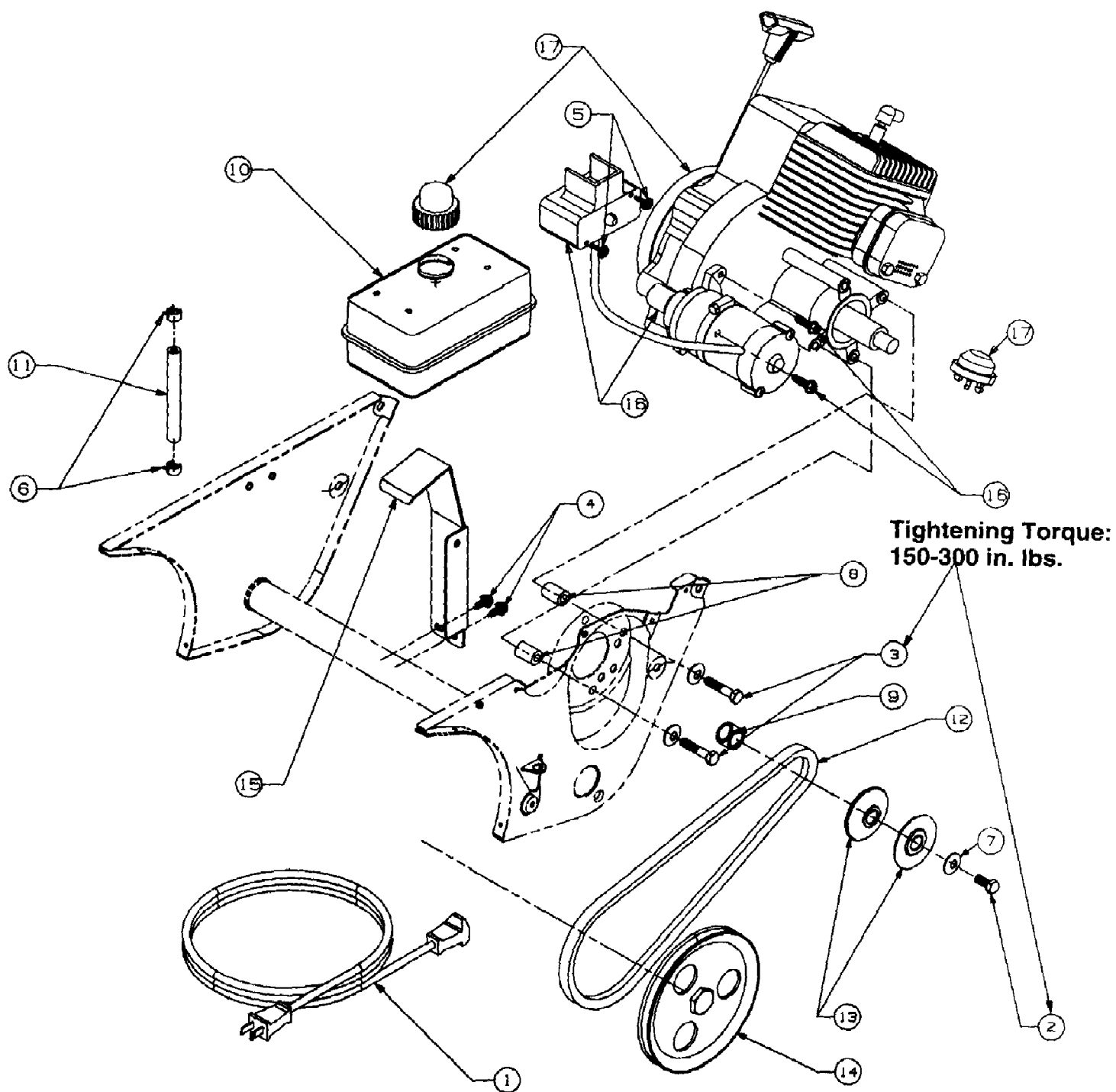
Ref #	Part Number	Qty	S/P/F	Description
1	710-0167	1	/P	Carriage Bolt
2	710-0276	1	/P	Carriage Bolt
3	710-0323	1	/P	Pan Head Screw
4	710-0451	1	/P	Carriage Bolt
5	710-0642	1	/P	Hex Washer Screw
6	710-1005	1	S	Hex Washer Screw
7	710-0773	1		Hex Washer Screw
8	710-0896	1	/P	Hex Washer Screw
9	710-3015	1	/P	Hex Cap Screw
10	711-0848A	1	S	Axle
11	712-0429	1	S	Hex Center Lock Nut
12	712-3010	1	S	Hex Nut
13	712-0116	1	S	Hex Lock Nut
14	712-3027	1	S	Hex Lock Flanged Nut
15	712-3027	1	S	Hex Lock Flanged Nut
16	720-0284	1	S	Knob
17	731-0851A	1	/P	Chute Keeper
18	731-0915B	1	S	Lower Chute
19	731-0921	1	S	Upper Chute
20	731-1033	1	/P	Shave Plate
21	732-0357A	1	S	Extension Spring
22	736-0108	1	S	Flat Washer
23	736-0119	1	S	Lock Washer
25	736-0176	1	S	Flat Washer
26	736-0159	1	S	Washer
27	736-0326	1	S	Flat Washer
28	736-0329	1	S	Lock Washer
30	741-0600	1	S	Ball Bearing
31	746-0910A	1	S	Cable-Clutch
32	748-0234	1	/P	Spacer
33	749-0796	1	S	Handle-Lower
34	756-0313	1	/P	Flat Idler
35	784-5174	1	S	Bearing Cup
36	784-5176	1		Cover-Belt
37	753-0712	1	S	Idler/Brake Bracket Service Kit; Replaces P/N 784-5180
38	753-0713	1		Blower Housing Service Kit; Replaces P/N 784-5325
39	784-5485	1	S	Auger Ass'y. Comp.
40	753-0613	1		Auger Rubber Replacement Kit
41	710-0352	1	/P	Hex Washer Screw
42	784-5720	1	S	Crank Bracket
?43	710-0451	1	/P	Cap Screw
44	736-0242	1	/P	Bell Washer
45	741-0475	1	S	Bushing
46	710-0191	1	/P	Hex Screw
	737-0133	1	S	Grease (Not Shown)
	734-1176	1		Wheel Ass'y (Not Shown)



316E142-190 Snow Boss 35 (1996)
Cover And Dash

Page 4 of 8

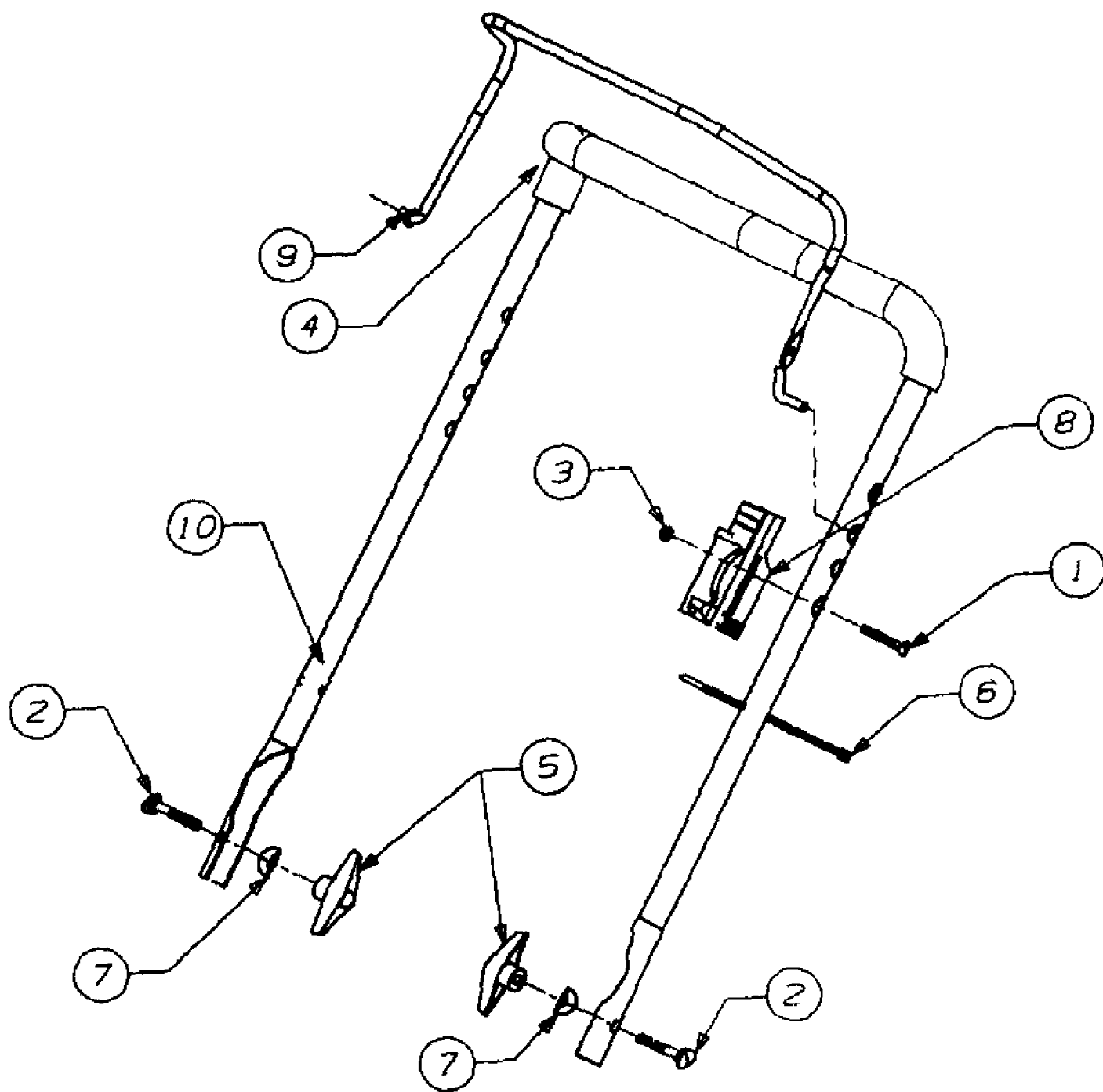
Ref #	Part Number	Qty	S/P/F	Description
1	684-0056	1		Dash
2	710-0442	4	S	Screw - Hex Cap
3	710-0895	2		Screw - Hex
4	710-1268	9	/P	Screw - Hex
5	712-0267	4	S	Nut - Hex
6	714-0507	1	S	Pin - Cotter
7	715-0138	1	S	Pin - Roll
8	720-0201A	1	/P	Knob - Chute Crank
9	725-0201	1	S	Key - Ignition
10	725-1341B	1	/P	Key - Ignition with Logo
11	725-1346	1	S	Nut - Ignition Switch
12	725-1347	1	/P	Cap - Ignition Switch
13	725-1425	1	S	Switch
14	726-0100	1	S	Gap - Push
15	731-0732	1	/P	Plug - Snap In
16	731-1553	1		Shroud - Gray
17	736-0119	4	S	Washer - Lock
18	736-0133	1	S	Washer - Flat
19	736-0225	1	/P	Washer - Lock Internal
20	736-0400	3	S	Washer - Flat
21	741-0403	1	/P	Bushing - Hex
22	741-0475	1	S	Bushing - Plastic
23	784-5178A	1	/P	Bracket - Upper Chute Crank
24	784-5344	1		Crank - Chute



316E142-190 Snow Boss 35 (1996)
Engine And V-Belt

Page 6 of 8

Ref #	Part Number	Qty	S/P/F	Description
1	629-0236	1	/P	Cord - Extension 110V3M 2 Prong For model 316E142-190 Only
2	710-0157	1	/P	Screw - Hex Cap
3	710-0442	4	S	Screw - Hex Cap
4	710-0896	2	/P	Screw - Washer
5	710-1003	2	/P	Screw - Hex For model 316E142-190 Only
6	726-0205	2	/P	Hose Clamp
7	736-0242	5	/P	Washer - Bell
8	750-0589	4	S	Spacer
9	750-0716	1		Spacer
10	751-0352	1	/P	Tank - Fuel 1 Qt.
11	751-0535-12	12	S	Hose - Fuel 12"
12	754-0367	1	S	V-Belt
13	756-0416B	2	S	V-Pulley Half
14	756-0550	1		Pulley
15	784-5177	1	S	Engine Support Bracket
16	390-697-000	1		Electric Start Kit For model 316E142-190 Only
17		1		Engine Obtain from Engine Manufacturer



316E142-190 Snow Boss 35 (1996)
Handle

Page 8 of 8

Ref #	Part Number	Qty	S/P/F	Description
1	710-0605	1	/P	Screw - Oval C-Sink L
2	710-1174	2	/P	Bolt - Carriage
3	712-0324	1	/P	Nut Insul. Lock
4	720-0226	1	S	Grip Foam
5	720-0276	2	S	Knob Handle
6	725-0157	1	/P	Tie Cable
7	736-0451	2	S	Washer Saddle
8	746-0875	1	S	Body - Lever Control
9	747-0615	1	S	Handle Ass'y. Control
10	749-0711A	1		Handle - Upper